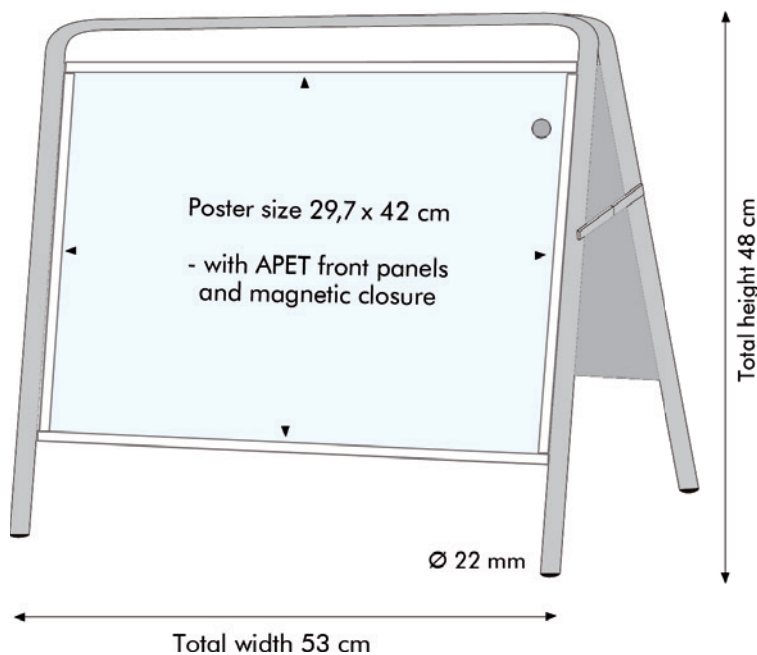
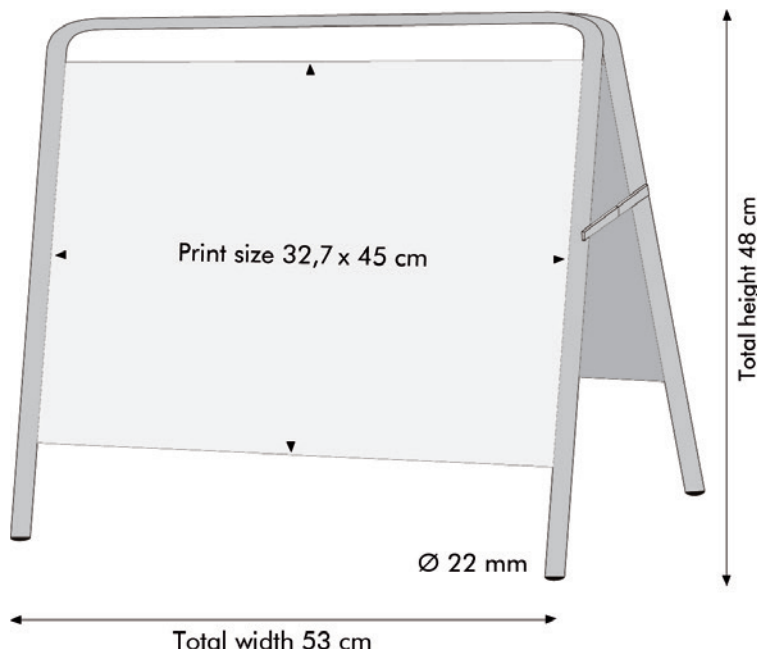




Art. no. 3309



Art. no. 3307 & 3310



Produced in 19 mm phosphated and polyester white lacquered steel tubes.

Art. 3307: Alu/zink plate for film.

Art. 3309: APET front panels with magnetic closure for A3 poster

Art. 3310: White lacquered plate for print/film.

Strassenständer aus 19 mm Weisse Stahlrohr, phosphatiert und polyesterlackiert.

Art. 3307: Alu/Zink Platte für Folie.

Art. 3309: APET Frontplatten mit Magnetband für A3 Poster.

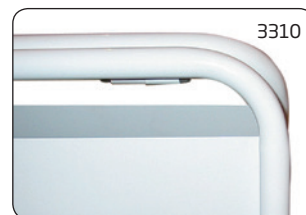
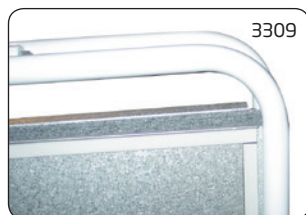
Art. 3310: Weisser Platte für Druck/Folie.

Gadeskilt af 19 mm stålør, fosfateret og polyesterlakeret.

Art. 3307: Alu/zink stålplade til foliemontering.

Art. 3309: APET frontplader med magnet til A3 plakater.

Art. 3310: Hvidlakeret stålplade til tryk eller folieudskæring.



| Model | Art.no. | Pavement Board | Size | Colour | Total W x H | Package size and weight | Pallet size and quantity |
|-------|---------|-----------------------------------|--------------|--------|-------------|-------------------------|---------------------------|
| 155 | 3307 | Alu/zink steel plate | 32,7 x 45 cm | White | 53 x 48 cm | 61 x 52 x 7 cm 4 kg | 80 x 120 x 220 cm 50 pcs. |
| - | 3309 | APET front panels (for A3 poster) | 29,7 x 42 cm | - | 53 x 48 cm | 61 x 52 x 7 cm 4 kg | 80 x 120 x 220 cm 50 pcs. |
| - | 3310 | White lacquered steel plate | 32,7 x 45 cm | - | 53 x 48 cm | 61 x 52 x 7 cm 4 kg | 80 x 120 x 220 cm 50 pcs. |